



TD SERIES

CCB 12TD-75

FOR COMMUNICATIONS
STANDBY POWER APPLICATIONS
(12V75AH @ 10HR RATE)

FEATURES

- *Absorbent Glass Mat (AGM) technology for efficient gas recombination of up to 99% and freedom from electrolyte maintenance.
- *Computer-generated grid design optimized for high power density.
- *Float/ Cycle Use
- *Low Self Discharge Rate
- *Safety Valve
- *Lead Calcium Alloy
- *Useable In Any Position
- * Long service life. Maintenance-free operation
- *UL-recognized component



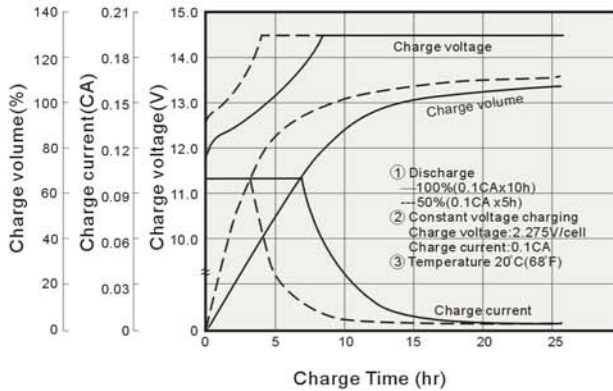
| Nominal Voltage | | |
|------------------------------|--------------------------|--------------------------|
| 12V | | |
| Dimensions | Length | 565mm(22.24inches) |
| | Width | 115mm(4.52inches) |
| | Height | 190mm(7.48inches) |
| | Total Height | 190mm(7.48inches) |
| Weight | | 25.5Kg(56.21 lbs) |
| Standard Terminals and Resin | M6 SS Bolt & 16mmØ Brass | M8 SS Bolt & 18mmØ Brass |

| Specifications | | | | |
|---|---|---|------------------------------------|------------------------------|
| Nominal Voltage | Rated Capacity @20hr rate | Maximum Charge Rate | Maximum Discharge- Amps 5sec. | Internal Resistance |
| 12V | 75Ah | 27Amps | 750Amps(5s, 25°C) | 5mOhms (Full charged @ 25°C) |
| Capacity@ | 82Ah @ 20hr. Rate to 1.75 volts per cell @25°C (77°F) | | | |
| | 75Ah @ 10hr. Rate to 1.75 volts per cell @25°C (77°F) | | | |
| | 69Ah @ 5hr. Rate to 1.75 volts per cell @25°C (77°F) | | | |
| | 66Ah @ 3hr. Rate to 1.75 volts per cell @25°C (77°F) | | | |
| | 47Ah @ 1hr. Rate to 1.75 volts per cell @25°C (77°F) | | | |
| Operating Temperature Range | Discharge | -40 F (-4°C) to + 160 F (71°C) | | |
| | Charge | -10 F (-23°C) to + 140 F (60°C).(with temperature compensation) | | |
| Recomended Operating Temperature Range | +68 F (20°C)to + 77 F (25°C) | | | |
| Self Discharge @ 77 F (25°C) | Capacity after 3 month storage | | 94% | |
| | Capacity after 6 month storage | | 88% | |
| | Capacity after 12 month storage | | 76% | |
| | CCB Battery may be stored for up to 12 months at 77 F(25°C) and then a freshing charge is required.For higher temperatures the time interval will be shorter. | | | |
| Capacity affected by Temperature (20 hour rate) | 104 F (40°C) | | 102% | |
| | 77 F (25°C) | | 100% | |
| | 32 F (0°C) | | 85% | |
| | 5 F (-15°C) | | 65% | |
| Charge Method (Constant Voltage) | Cycle use (Repeating use) | Initial current | 26 A or smaller | |
| | | Control voltage | 14.5V to 14.9V (per 12V cell 25°C) | |
| | Float use | Initial current | 11A or smaller | |
| | | Control voltage | 13.6V to 13.8V(per 12V cell25°C) | |



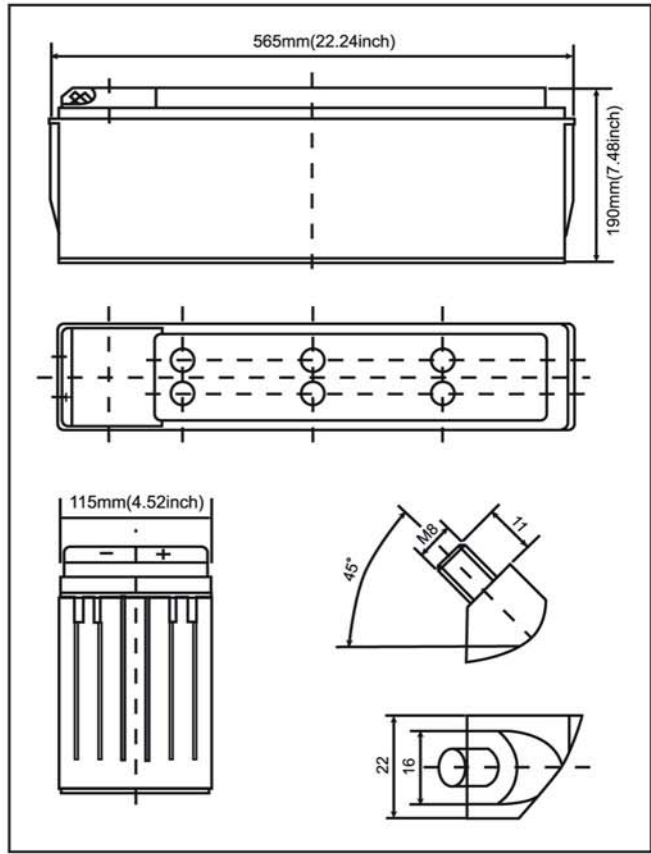
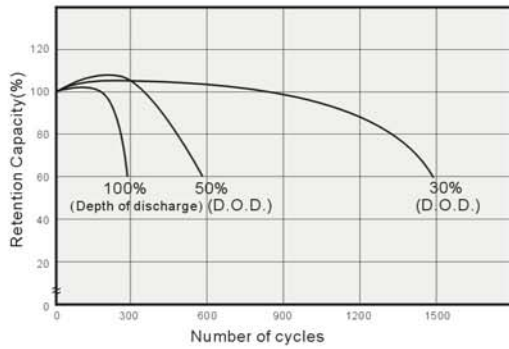
BATTERY CHARGING CHARACTERISTICS

(Typical example of charge characteristic for the standby use)



Battery Life Characteristics of Cyclic Use

Testing Conditions: Discharge Current: 0.25C Amp (F.V. 1.7V/cell)
Charging Current: 0.1C Amp
Charging Volume: 120% OF Discharge Capacity
Ambient Temperature: 20°C (68°F)



Constant power discharge characteristics at 25°C/77°F

| Final Voltage | Discharge time | | | | | | |
|---------------|----------------|-------|-------|-------|------|------|------|
| | 5Min | 10Min | 15Min | 30Min | 1Hr | 3Hr | 5Hr |
| 1.75V | 388 | 279 | 240 | 151 | 91.0 | 43.0 | 27.8 |
| 1.80V | 357 | 262 | 225 | 147 | 90.0 | 42.6 | 27.3 |
| 1.85V | 322 | 238 | 201 | 130 | 87.6 | 40.6 | 26.3 |

Constant power discharge characteristics at 25°C/77°F

| End VPC | Discharge time | | | | | | | |
|---------|----------------|------|------|------|------|------|------|--|
| | 1Hr | 2Hr | 3Hr | 5Hr | 8Hr | 10Hr | 20Hr | |
| 1.85V | 44.9 | 28.0 | 18.9 | 12.3 | 8.52 | 7.49 | 3.98 | |
| 1.80V | 45.6 | 29.0 | 20.2 | 12.7 | 8.90 | 7.70 | 4.03 | |
| 1.75V | 46.9 | 31.1 | 22.0 | 13.7 | 9.30 | 7.90 | 4.12 | |

Charging Procedure

| Application | Charging method | Charging Voltage at 20°C (V/cell) | Temperature compensation coefficient of charging voltage (mV/Ccell) | Max. charging current (CA) | Charging time 0.1CA, 20°C (h) | | Temp (°C) |
|--------------------------|---|-----------------------------------|---|----------------------------|-------------------------------|---------------|-----------------|
| | | | | | 100% discharge | 50% discharge | |
| For standby power Source | Constant voltage & Constant current charging (with current restriction) | 2.25~2.30 | -3 | 0.3 | 24 | 20 | 0~40 (32~104°F) |
| For cycle service | | | | | 2.40~2.0 | -4 | |

CCB INDUSTRIAL BATTERY CO., LTD

CCB CHINA
Shenzhen, China 518001
Tel: 86-755-82297502 82297504
Fax: 86-755-82297586
E-mail: sales@battery-oem.com
WEBSITE:
http://www.battery-oem.com

CCB USA
Phoenix Arizona 85054 USA
Tel: 1-480-513-0808
Fax: 1-480-563-9264
E-mail: ccbatteries@att.net
WEBSITE:
http://www.ccbbattery.com

